

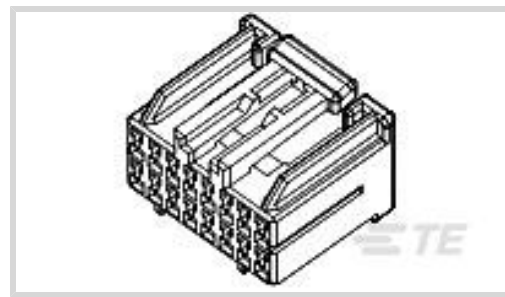
917992-6 ✓ ACTIVE

Multilock Connector System

TE Internal #: 917992-6

TE Internal Description: HYBRID MK-2 PLUG HSG ASSY 26P

[View on TE.com >](#)



Product Compliance

[For compliance documentation, visit the product page on TE.com>](#)

EU RoHS Directive 2011/65/EU	Compliant
EU ELV Directive 2000/53/EC	Compliant
China RoHS 2 Directive MIIT Order No 32, 2016	No Restricted Materials Above Threshold
EU REACH Regulation (EC) No. 1907/2006	Current ECHA Candidate List: JUNE 2022 (224) Candidate List Declared Against: JUNE 2022 (224) Does not contain REACH SVHC
Halogen Content	Low Halogen - Br, Cl, F, I < 900 ppm per homogenous material. Also BFR/CFR/PVC Free
Solder Process Capability	Not applicable for solder process capability

Product Compliance Disclaimer

This information is provided based on reasonable inquiry of our suppliers and represents our current actual knowledge based on the information they provided. This information is subject to change. The part numbers that TE has identified as EU RoHS compliant have a maximum concentration of 0.1% by weight in homogenous materials for lead, hexavalent chromium, mercury, PBB, PBDE, DBP, BBP, DEHP, DIBP, and 0.01% for cadmium, or qualify for an exemption to these limits as defined in the Annexes of Directive 2011/65/EU (RoHS2). Finished electrical and electronic equipment products will be CE marked as required by Directive 2011/65/EU. Components may not be CE marked. Additionally, the part numbers that TE has identified as EU ELV compliant have a maximum concentration of 0.1% by weight in homogenous materials for lead, hexavalent chromium, and mercury, and 0.01% for cadmium, or qualify for an exemption to these limits as defined in the Annexes of Directive 2000/53/EC (ELV). Regarding the REACH Regulation, the information TE provides on SVHC in articles for this part number is based on the latest European Chemicals Agency (ECHA) 'Guidance on requirements for substances in articles' posted at this URL: <https://echa.europa.eu/guidance-documents/guidance-on-reach>

Compatible Parts



TE Part # CAT-M9194-T273
MULTILOCK, RECEPTACLE AND TAB



TE Part # CAT-HPCH5372
HIGH PIN COUNT HEADER



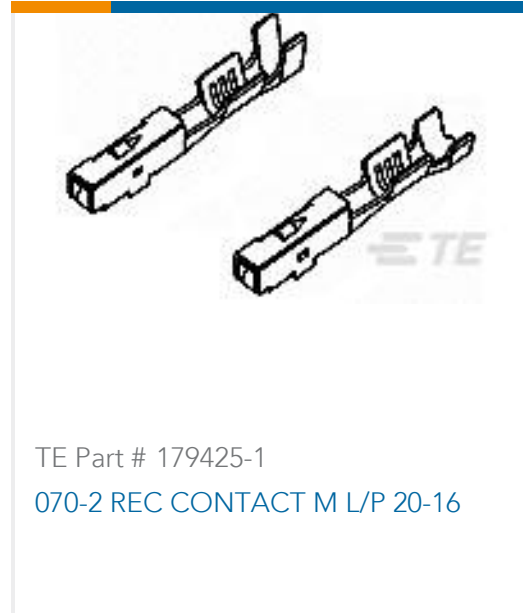
TE Part # CAT-SIGH262
SIGNAL HEADER



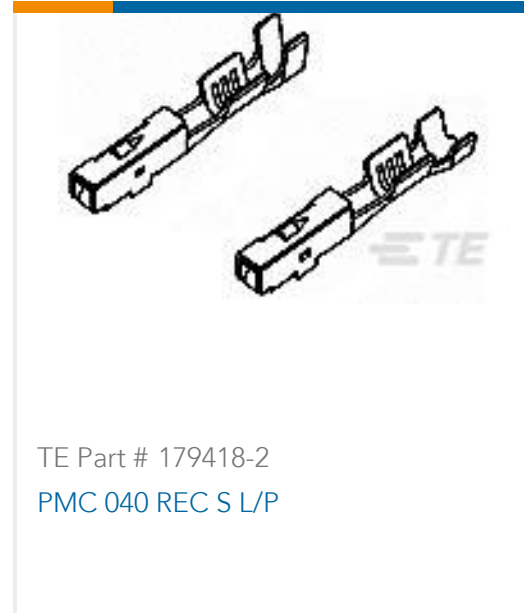
TE Part # 638258-6
54P HOZ. CAP ASSY



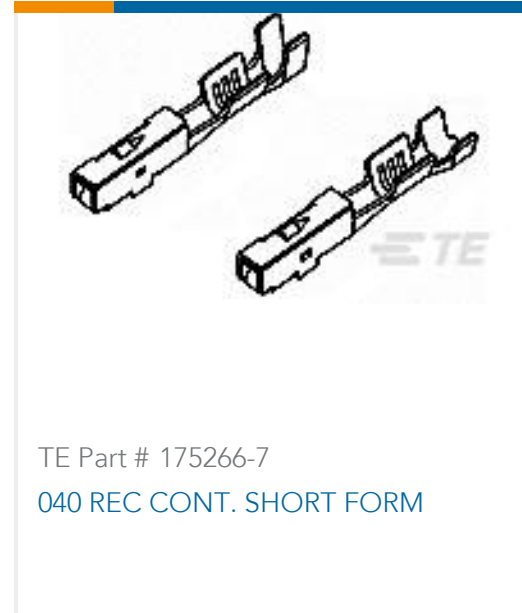
TE Part # CAT-LMPH9507
LOW & MEDIUM POWER HEADER



TE Part # 179425-1
070-2 REC CONTACT M L/P 20-16



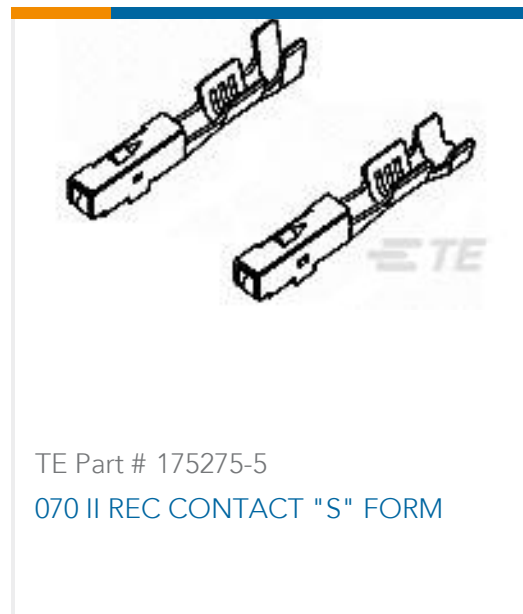
TE Part # 179418-2
PMC 040 REC S L/P



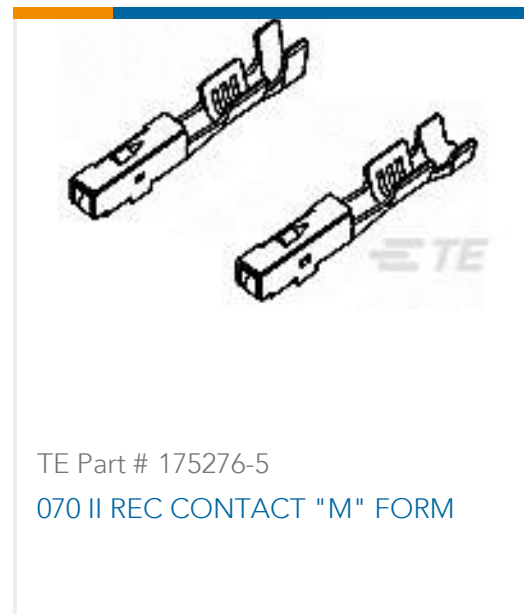
TE Part # 175266-7
040 REC CONT. SHORT FORM



TE Part # 175446-2
040/070 HYBRID 42POS CAP ASSY H TIN

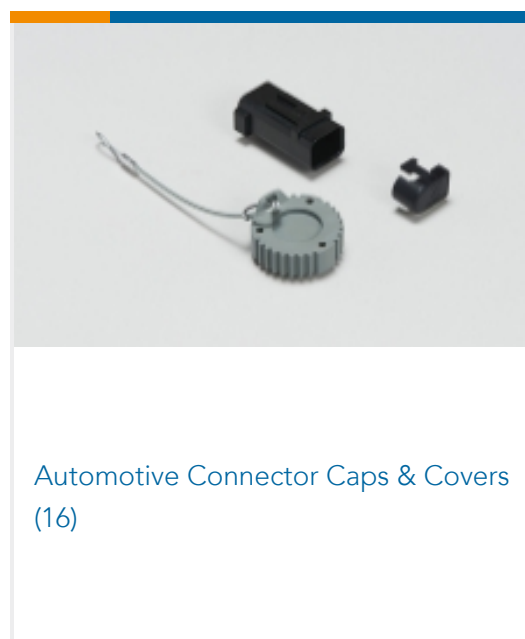


TE Part # 175275-5
070 II REC CONTACT "S" FORM TIN

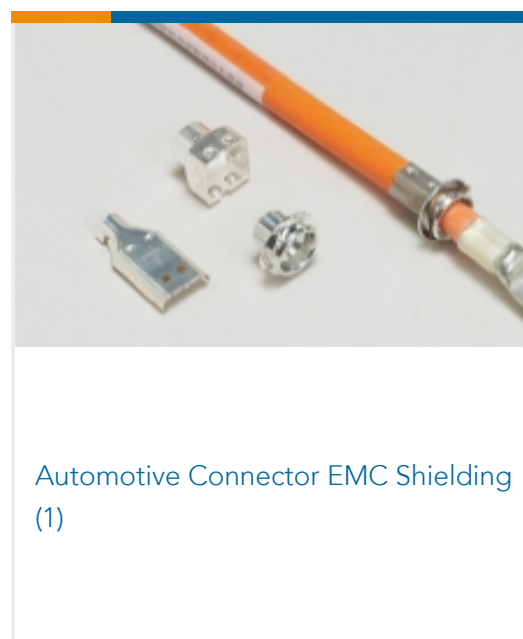


TE Part # 175276-5
070 II REC CONTACT "M" FORM

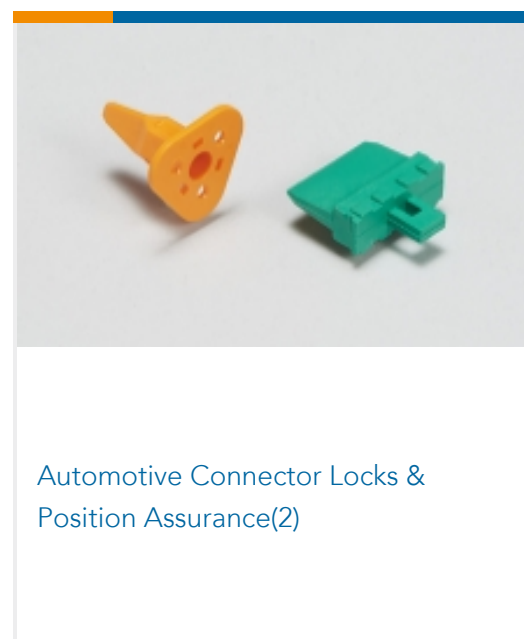
Also in the Series | Multilock Connector System



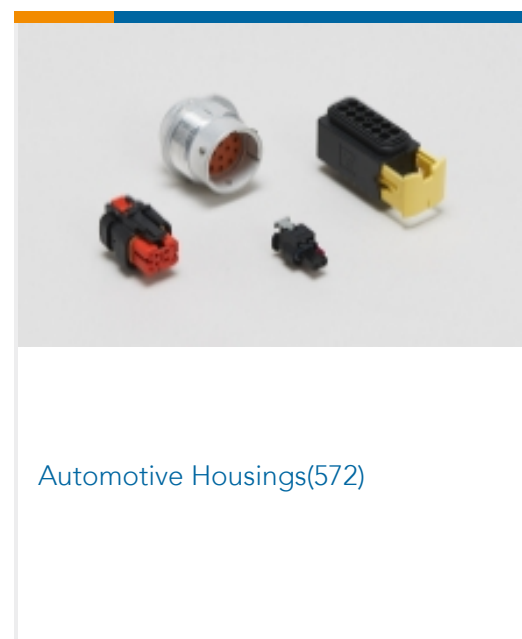
Automotive Connector Caps & Covers
(16)



Automotive Connector EMC Shielding
(1)



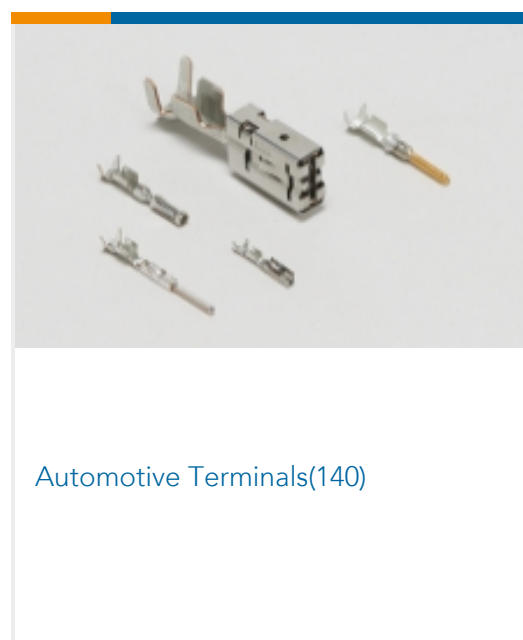
Automotive Connector Locks & Position Assurance(2)



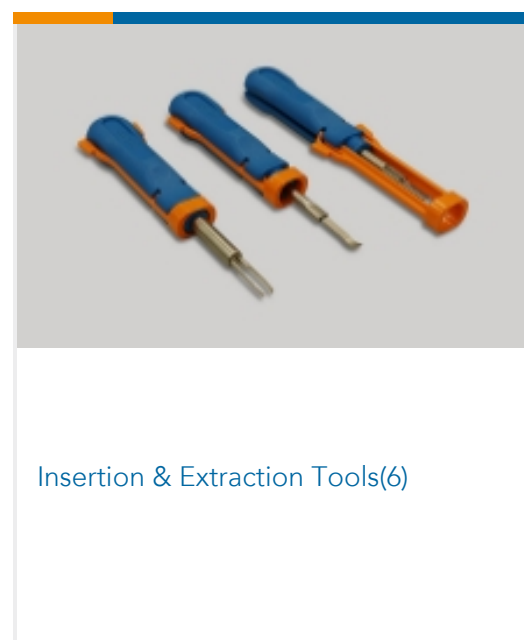
Automotive Housings(572)



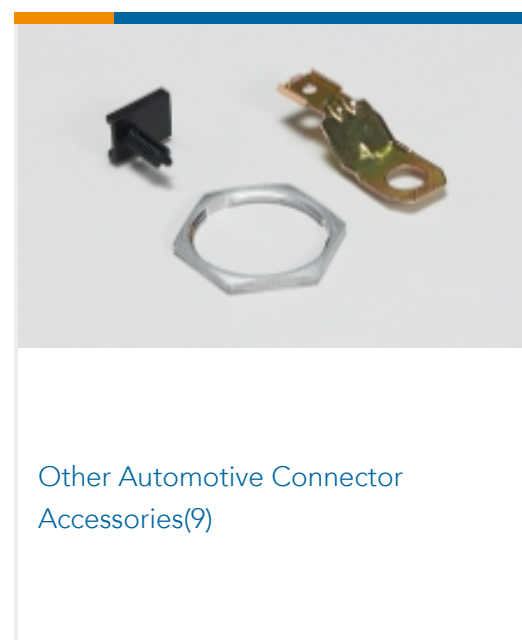
Automotive Seals & Cavity Plugs(2)



Automotive Terminals(140)



Insertion & Extraction Tools(6)



Other Automotive Connector Accessories(9)



Documents

Product Drawings

[HYBRID MK-2 PLUG HSG ASSY 26P](#)

English

CAD Files

Customer View Model

[ENG_CVM_CVM_917992-6_D.2d_dxf.zip](#)

English

3D PDF

3D

Customer View Model

[ENG_CVM_CVM_917992-6_D.3d_igs.zip](#)

English

Customer View Model

[ENG_CVM_CVM_917992-6_D.3d_stp.zip](#)

English

By downloading the CAD file I accept and agree to the [Terms and Conditions](#) of use.

Product Specifications

[Application Specification](#)

English

Instruction Sheets

[Instruction Sheet \(U.S.\)](#)

Japanese